

aleo

# GLASS-GLASS MODULE FOR POWERFUL AESTHETIC ARCHITECTURE

## Elegante

185-195 W

QUALITY SIGNED AND SEALED



40

cells

950x1600 mm

with 4+4 mm safety glass

BIPV

module



### PID FREE

PID tested with excellent results under the harshest conditions



### CRAFTED WITH PASSION



### 30 YEARS LINEAR PERFORMANCE WARRANTY



### HIGH RELIABILITY

all modules are checked with high resolution electroluminescence and infrared measurements.



### 15 YEARS PRODUCT WARRANTY



Made in Germany

# aleo solar module Elegante

ELECTRICAL DATA (STC)		G40_185	G40_190	G40_195
Rated power	$P_{MPP}$ [W]	185	190	195
Rated voltage	$V_{MPP}$ [V]	20.9	20.9	20.9
Rated current	$I_{MPP}$ [A]	8.97	9.25	9.42
Open-circuit voltage	$V_{OC}$ [V]	26.2	26.2	26.3
Short-circuit current	$I_{SC}$ [A]	9.67	9.80	9.80
Efficiency	$\eta$ [%]	12.2	12.5	12.8

Electrical values measured under standard test conditions (STC): 1000 W/m<sup>2</sup>; 25°C; AM 1.5

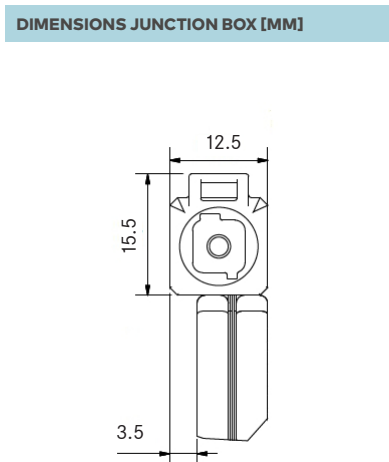
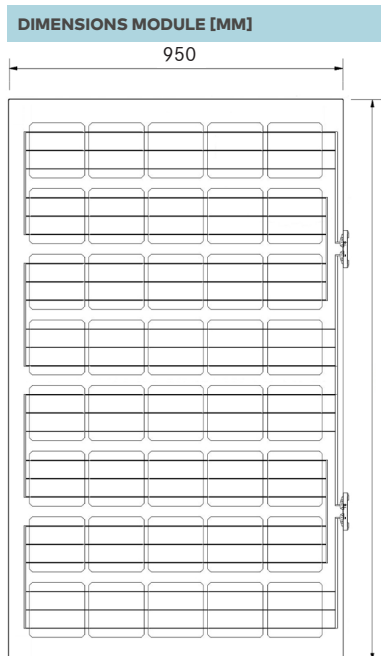
ELECTRICAL DATA (NOCT)		G40_185	G40_190	G40_195
Power	$P_{MPP}$ [W]	135	139	143
Voltage	$V_{MPP}$ [V]	19.0	18.9	18.9
Current	$I_{MPP}$ [A]	7.19	7.30	7.41
Open-circuit voltage	$V_{OC}$ [V]	23.9	24.0	24.1
Short-circuit current	$I_{SC}$ [A]	7.74	7.82	7.93
Efficiency	$\eta$ [%]	11.1	11.4	11.8

Electrical values measured under nominal operating conditions of cells: 800 W/m<sup>2</sup>; 20°C; AM 1.5; wind 1 m/s  
NOCT: 48°C (nominal operating cell temperature)

BASIC DATA JUNCTION BOX		
Length x width x height	[mm]	105.8 x 15.5 x 12.5
IP class		IP67
Cable length	[mm]	1200 (+), 800 (-)
Connectors		2 Tyco wing edge
Bypass diodes		2 (one per junction box)

TEMPERATURE COEFFICIENTS			
Temperature coefficient $I_{SC}$	$\alpha (I_{SC})$	[%/K]	+0.05
Temperature coefficient $V_{OC}$	$\beta (V_{OC})$	[%/K]	-0.29
Temperature coefficient $P_{MPP}$	$\gamma (P_{MPP})$	[%/K]	-0.40

Measurement tolerance of  $P_{MPP}$  under STC -3/+3% | Accuracy of other electrical values -10/+10%  
Efficiency relating to gross module area

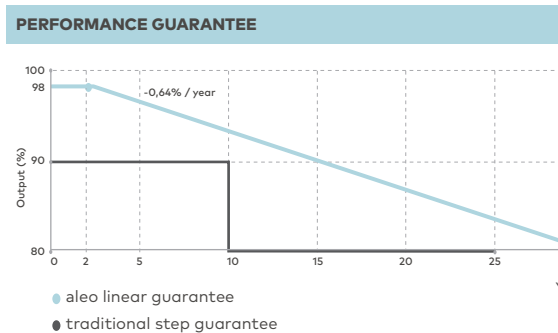


BASIC MODULE DATA		
Length x width x height	[mm]	950 x 1600 x 9 (12.5 mm height junction box)
Weight	[kg]	32.5
Number of cells		40
Cell size	[mm]	156.75 x 156.75
Cell material		Monocrystalline Si
Front glass		4.0 mm Solar glass (TSG)
Back glass		4.0 mm Solar glass (TSG)

CERTIFICATIONS AND WARRANTY	
Product Guarantee	15 years
Power Guarantee	30 years
Fire Resistance	Class C
Protection Against Electric Shock	II
Certifications	§ IEC 61215, IEC 61730-1/-2 (end of January 2017)  § IEC 62804 – PID Resistance  architectural certification from DIBt (abZ no. Z-70.3-232)

LOADS		
Max. module pressure load	[Pa]	5400*
Max. module suction load	[Pa]	5400*
Max. system voltage	[V <sub>dc</sub> ]	1000
Reverse current load	$I_R$ [A]	20
Mechanical load acc. to IEC/EN 61215 * Please observe the mounting conditions in the installation manual		

ADDITIONAL ELECTRICAL DATA		
Reduction of STC efficiency from 1000 W/m <sup>2</sup> to 200 W/m <sup>2</sup>	[%] rel.	< 2
Classification range (positive classification)	[W]	0/+4.99



PLEASE CONTACT YOUR AUTHORISED ALEO DEALER

Detailed information about our warranties is available on our website | Subject to change without notice | Errors and omissions excepted |

EN | 10/2016 | ELEGANTE 185-195 W

© aleo solar GmbH | Gewerbegebiet Nord | Marius-Eriksen-Strasse 1 | 17291 Prenzlau | Germany